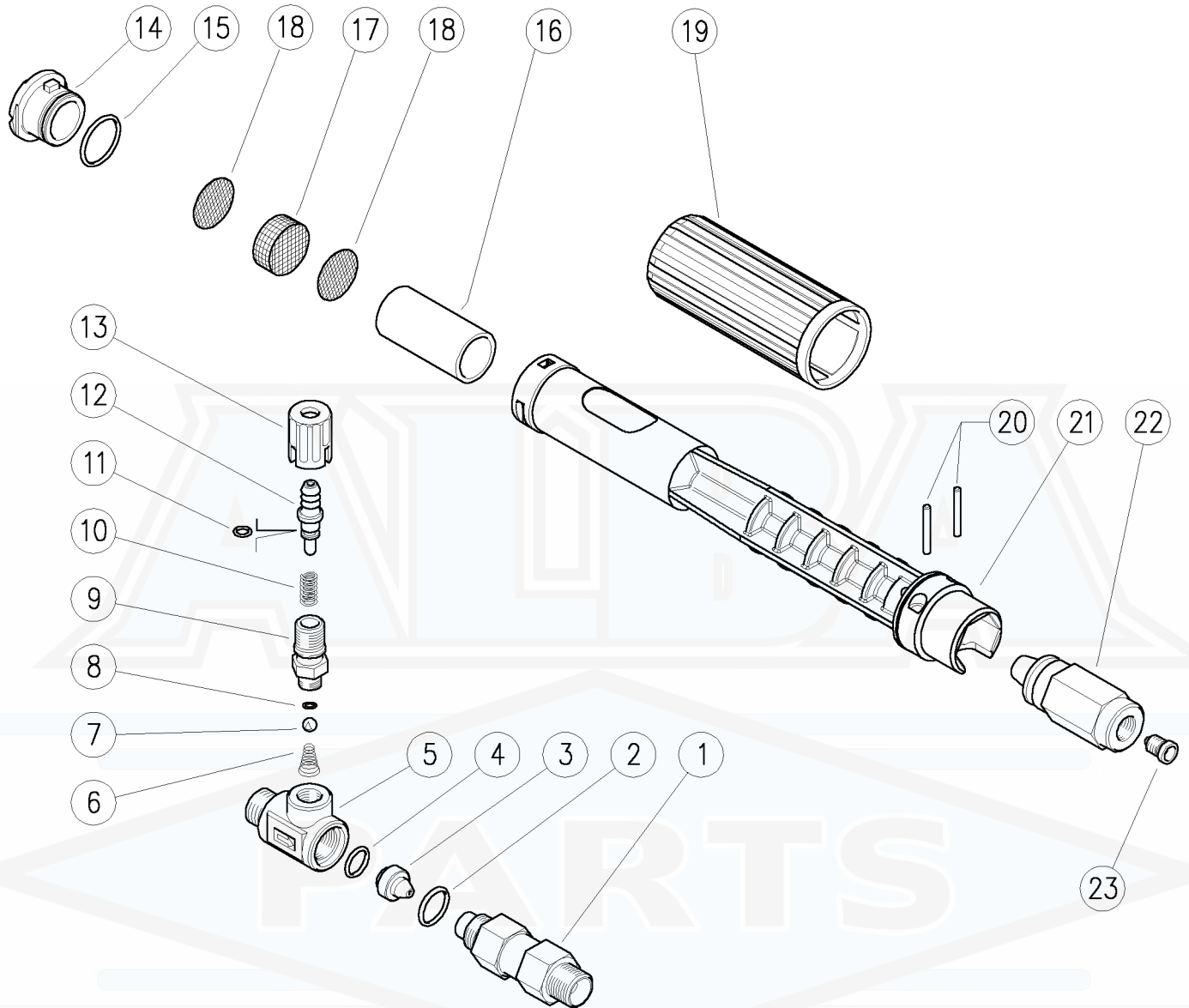


21.0600.12 Injector,adjust. 3/8MM Bsp 1,2mm
 21.0600.14 Inject.,adj. 3/8MM Bsp 1,4mm extrn.red
 21.0600.18 Inject.,adj. 3/8MM Bsp 1,8mm extrn.blue
 21.0600.21 Inject.,adj. 3/8MM Bsp 2,1mm extrn.blue
 25.1845.18 LS12asp.e Foamer 1,8mm+ext.inje.1,2-black
 25.1845.21 LS12asp.e Foamer 2.1mm+ext.inject.1,4-red

25.1845.25 LS12asp.e Foamer 2.5mm+ext.inject.1,8-blue
 25.1851.18 LS12 asp.e Foam lance exter.suct. 1,8-black
 25.1851.21 LS12 asp.e Foam lance exter.suct. 2,1mm
 25.1851.68 LS12 asp.e Foam lance exter.suct. 1,8-black
 25.1851.71 LS12 asp.e Foam lance exter.suct. 2,1mm
 25.1851.75 LS12 asp.e Foam lan.exter.suct. 2,5-blue



Pos.	P/N	Description	Q.ty	K1	K2	K3	K4
1	21.0602.31R	Tapered coupling, 3/8MM Bsp	1				3
2	10.3179.10R	O-ring, 2,62x13,94 mm Vi 70	1				10
3	21.0507.51R	Inject.nozzle, D.15 - 1,2 mm Sst. (1)	1				5
3	21.0508.51R	Inject.nozzle, D.15 - 1,4 mm Sst. (2)	1				5
3	21.0504.51R	Inject.nozzle, D.15 - 1,8 mm Sst. (3)	1				5
3	21.0505.51R	Inject.nozzle, D.15 - 2,1 mm Sst. (4)**	1				5
3	21.0506.51R	Inject.nozzle, D.15 - 2,3 mm Sst. **	1				5
4	10.3174.10R	O-ring, 2,62x9,93 mm Vi 70	1				10
5	21.0601.35R	Inject.housing, 3/8MF Bsp brass	1				3
6	21.0160.51R	Tapered spring, Sst. -inject.	1				10
7	14.7420.01R	Ball, 7/32" Sst. Aisi 316	1				10
8	10.3049.00R	O-ring, 1,78x5,28 mm Vi 70	1				10
9	21.0173.31R	Coupling, M12x1-1/4M Bsp brass	1				10
10	21.0158.51R	Spring, 0,8x7x15 mm Sst.	1				10
11	10.3043.01R	O-ring, 1,78x4,48 mm Vi 70	1				10
12	21.0155.99R	Hose barb, d.8 mm brass+o-ring	1				5
13	21.0171.84R	Inject.knob, 1/4F Bsp black (1)	1				10
13	21.0174.84R	Inject.knob, 1/4F Bsp red (2)	1				10

Pos.	P/N	Description	Q.ty	K1	K2	K3	K4
13	21.0178.84R	Inject.knob, 1/4F Bsp blue (4,3)	1				10
14	25.1802.85R	Front nozzle -LS10-12 black v.2 (1,5)	1				10
14	25.1814.84R	Front nozzle -LS10-12 red (2)	1				5
14	25.1814.85R	Front nozzle -LS10-12 red v.2 (2,6)	1				5
14	25.1827.85R	Front Nozzle LS10 plastic blue (3,7)	1				10
15	10.3072.10R	O-ring, 1,78x20,35 mm Vi 70	1				10
16	25.1831.85R	Spacer ring -LS12	1				5
17	25.1808.51R	Pressed strainer,25x10mm Sst.	1				10
18	29.0802.53R	Diaphragm, 25x0,5 mm Sst.	2				10
19	25.1805.84R	Knob -LS12	1				5
19	25.1805.85R	Knob -LS12 v.2 (5,6,7)	1				5
20	30.0509.31R	Parallel pin, 5x24,5 mm brass	2				10
21	25.1801.85R	Lance housing -LS12 v.2	1				5
22	25.1836.31R	Injector housing -LS12asp.e	1				3
23	21.0007.51R	Nozzle, M8x1 - 1,5 mm Sst.	1				10
23	21.0002.51R	Nozzle, M8x1 - 1,8 mm Sst. (1)	1				10
23	21.0004.51R	Nozzle, M8x1 - 2,1 mm Sst. (2)	1				10
23	21.0009.51R	Nozzle, M8x1 - 2,5 mm Sst. (3)	1				10

** On request

(1) 25.1845.18 (2) 25.1845.21 (3) 25.1845.25 (4) 21.0600.21 (5) 25.1851.68 (6) 25.1851.71 (7) 25.1851.75