



RED TRIGGER P/N 15.0003.11

FEATURES:

- * Body and sealing seat in polypropylene reinforced with fiberglass.
- * Pin in polypropylene reinforced with fiberglass.
- * Seal obtained by ball in tempered stainless steel AISI 420 and spring in stainless steel AISI 302
- * Seals in NBR
- * Rear fluid entry
- * Inlet / Outlet G 1/2 F
- * Max Pressure 25bar – 2.5Mpa (363psi)
- * Max Flow rate 70 l/min (18.5 USGp.m.)
- * Max temperature 50°C (120° F)
- * Weight 131 gr (4.62 oz.)

BLUE TRIGGER P/N 15.0003.12

FEATURES:

- * Body and sealing seat in polypropylene reinforced with fiberglass
- * Pin in stainless steel AISI 303
- * Seal obtained by ball in tempered stainless steel AISI 420 and spring in stainless steel AISI 302
- * Seals in VITON
- * Rear fluid entry
- * Inlet / Outlet G 1/2 F
- * Max Pressure 25bar – 2.5Mpa (363psi)
- * Max Flow rate 70 l/min (18.5 USGp.m.)
- * Max temperature 50°C (120° F)
- * Weight 131 gr (4.62 oz.)

GREY TRIGGER P/N 15.0013.12

FEATURES:

- * Body and sealing seat in polypropylene reinforced with fiberglass
- * Pin in stainless steel AISI 316
- * Seal obtained by ball in stainless steel AISI 316 and spring in stainless steel AISI 316
- * Seals in VITON
- * Rear fluid entry
- * Inlet / Outlet G 1/2 F
- * Max Pressure 25bar – 2.5Mpa (363psi)
- * Max Flow rate 70 l/min (18.5 USGp.m.)
- * Max temperature 50°C (120° F)
- * Weight 131 gr (4.62 oz.)

BROWN TRIGGER P/N 15.0015.12

FEATURES:

- * Body and sealing seat in polypropylene reinforced with stapled fiberglass
- * Pin in stainless steel AISI 316
- * Seal obtained by ball in stainless steel AISI 316 and spring in stainless steel AISI 316
- * Seals in VITON
- * Rear fluid entry
- * Inlet / Outlet G 1/2 F
- * Max Pressure 25bar – 2.5Mpa (363psi)
- * Max Flow rate 70 l/min (18.5 USGp.m.)
- * Max temperature 50°C (120° F)
- * Weight 131 gr (4.62 oz.)

GREEN TRIGGER P/N 15.0014.12

FEATURES:

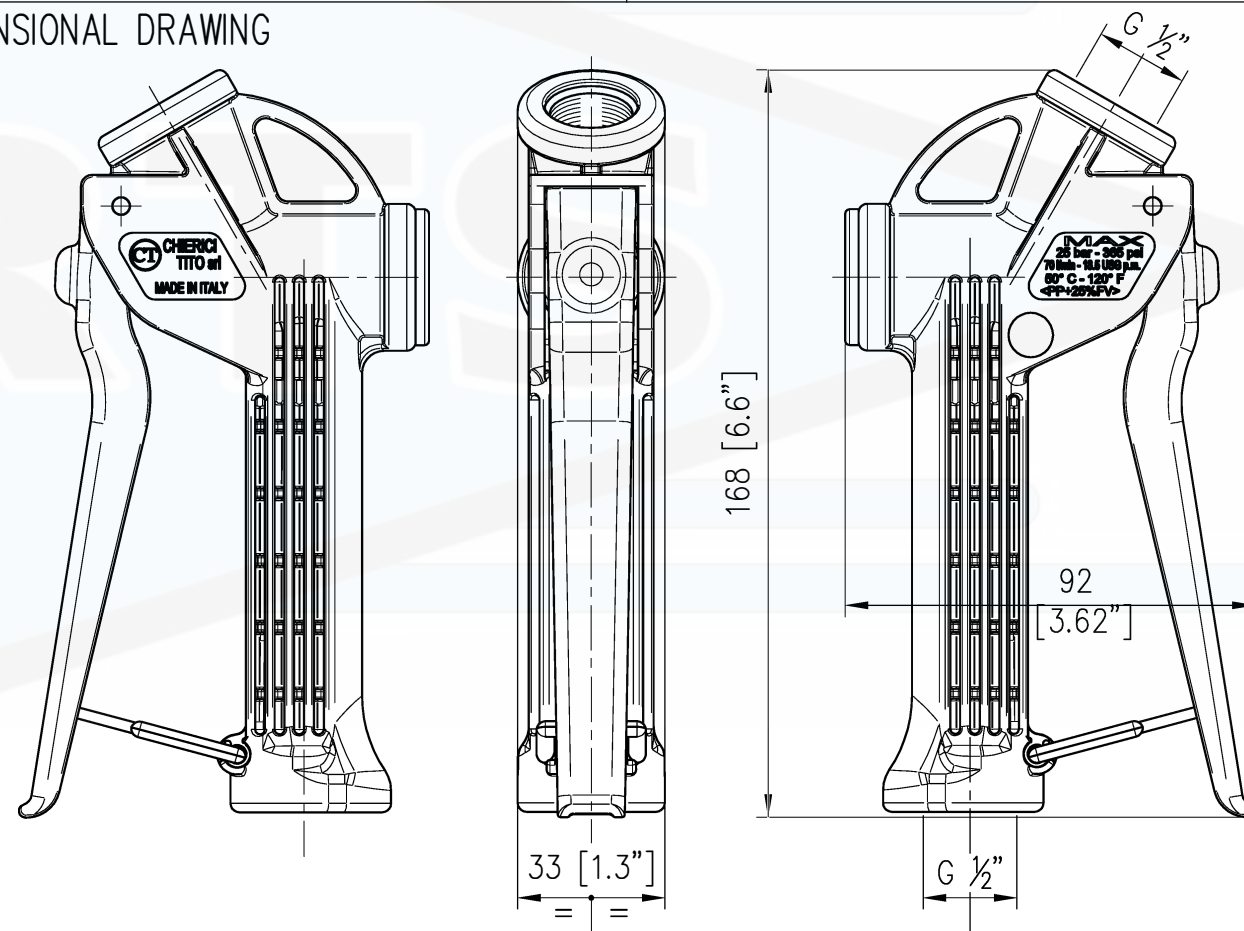
- * The gun always leaks a small quantity of fluid
Pressure loss: 2.8bar – 0.3Mpa (40psi) equal to 1–1.3 l/min 0.3 USGp.m.
- * Body and sealing seat in polypropylene reinforced with fiberglass
- * Pin in stainless steel AISI 316
- * Seal obtained by ball in stainless steel AISI 316 and spring in stainless steel AISI 316
- * Seals in VITON
- * Rear fluid entry
- * Inlet / Outlet G 1/2 F
- * Max Pressure 25bar – 2.5Mpa (363psi)
- * Max Flow rate 70 l/min (18.5 USGp.m.)
- * Max temperature 50°C (120° F)
- * Weight 131 gr (4.62 oz.)

YELLOW TRIGGER P/N 15.0003.10

FEATURES:

- * Body and sealing seat in polyamide reinforced with fiberglass
- * Pin in stainless steel AISI 303
- * Seal obtained by ball in tempered stainless steel AISI 420 and spring in stainless steel AISI 302
- * Seals in VITON
- * Rear fluid entry
- * Inlet / Outlet G 1/2 F
- * Max Pressure 60bar – 6Mpa (870psi)
- * Max Flow rate 70 l/min (18.5 USGp.m.)
- * Max temperature 60°C (140° F)
- * Weight 162 gr (5.7 oz.)

DIMENSIONAL DRAWING

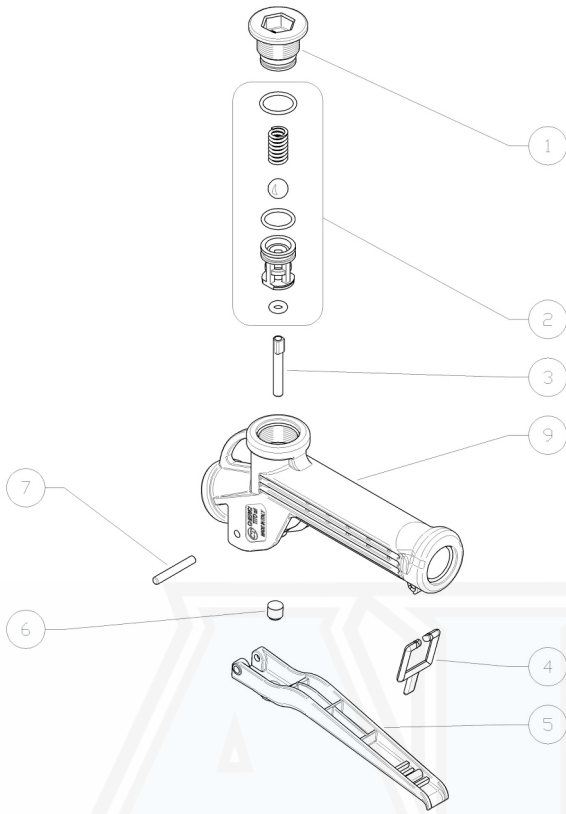


15.0003.10R CP12-06 sp. gun, yellow trigger

15.0003.11R CP12-02 sp.gun red trigger

15.0003.12R CP12-00 sp. gun, blue trigger

15.0013.12R CP12-04 sp. gun, grey trigger



| Pos. | P/N | Description | Q.ty | K1 | K2 | K3 | K4 | |
|------|-------------|---|------|----|----|----|----|----|
| 1 | 13.0003.24R | Plug -Universal, PP black | 1 | | | | | 5 |
| 1 | 13.0003.39R | Plug -Universal gun, Pa6 (1) | 1 | | | | | 5 |
| 2 | 99.0003.04R | Spares kit,Univer.gun, blue trig. (2) | 1 | | | | | 1 |
| 2 | 99.0003.16R | Spares kit -Universal gun, yellow trigger (1) | 1 | | | | | 1 |
| 2 | 99.0003.03R | Spares kit,Universal gun, red trigger (3) | 1 | | | | | 1 |
| 2 | 99.0003.13R | Spares kit,Univer.gun, grey trigger (4) | 1 | | | | | 1 |
| 3 | 12.0050.08R | Parallel pin, 5x36 mm Sst. | 1 | | | | | 5 |
| 3 | 13.0003.55R | Parallel pin, 5x36 mm PP (3) | 1 | | | | | 5 |
| 4 | 13.0003.30R | Red safety latch, Universal gun | 1 | | | | | 10 |
| 5 | 13.0003.32R | Blue trigger -Universal gun (2) | 1 | | | | | 10 |
| 5 | 13.0003.31R | Red trigger -Universal gun (3) | 1 | | | | | 3 |
| 5 | 13.0003.35R | Yellow trigger -Universal gun (1) | 1 | | | | | 3 |
| 5 | 13.0003.36R | Gray trigger -Universal gun (4) | 1 | | | | | 3 |
| 6 | 13.0003.28R | Stop pin, 8x7 mm | 1 | | | | | 5 |
| 7 | 12.0050.21R | Parallel pin, 4x28 mm | 1 | | | | | 5 |
| 9 | 13.0003.11R | Casing -Universal gun, PP | 1 | | | | | 10 |
| 9 | 13.0003.27R | Casing -Universal gun, Pa6 (1) | 1 | | | | | 10 |

(1) 15.0003.10 (2) 15.0003.12 (3) 15.0003.11 (4) 15.0013.12

PARTS